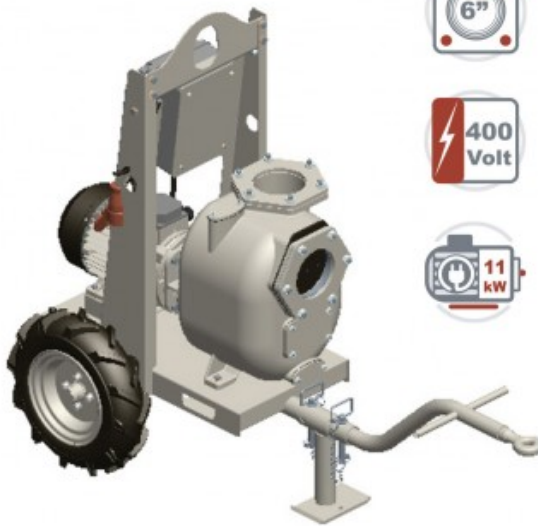


TA5 E S150 - 1515 001



Product codes:

Reference: 1515 001

Product short description:

Trailer with towing eye, lifting hook and tyres assembled with three-phase electric motor and self-priming centrifugal pump Type Victor Pumps S150 (Q max: 260 m³/h; H max: 13 m) with following features:

- 10" Tyres with Tractor Profile
- Close-coupled
- Towing bar with 38 mm eye
- Control-panel with On/Off switch, automatic star/delta start with 26 Amp termistors, IEC plug 5 Pin 32 Amp with phase inverter
- PinoPumps standard stainless steel name plate with product name and serial number

Product features:

Main Features
Pump Flow Rate: max 260 m ³ /h (4300 l/min)
Pump head: max 13 m
Max. Solids Handling: 72x50 mm
Self-priming: ★★☆☆☆
Heavy-duty: ★★★★★
Frame: TA5 single-axle Trailer
Frame

Suitable for solid ground: Yes

Suitable for muddy and sandy terrains: Yes

Lifting hook: Yes

Can be moved by hand: Yes

Can be towed with a vehicle: Yes

Towing bar with hook: Yes

Document box prepared for lock: Yes

Tool box prepared for lock: No

Pump

Type of Pump: Self-priming centrifugal pump

Pump manufacturer: Victor Pumps

Suction port: 6"

Discharge port: 6"

Type of ports: Female Thread BSP

Type of self-priming: Wet-prime

Vaccum pump: No

Inspection cover for the impeller: Yes

Filling port: Yes

Drain Port: Yes

Plug for Vacuometer: Option

Plug for the Manometer: Option

Material of casing: Cast iron

Material of impeller: Ductile Cast-iron

Material of wear plate: Steel

Material of shaft: Stainless steel AISI420

Material of non-return valve: NBR

Shaft sealing: YCV Mechanical Seal with Grease Lubrication in SiC/SiO₂/FKM (Viton®) on Stainless Steel Sleeve

Performance data

Max vacuum with water: max 8 m (9, 5 m for 10 min)

Max vacuum with air: max 8, 5 m

Product gallery:

